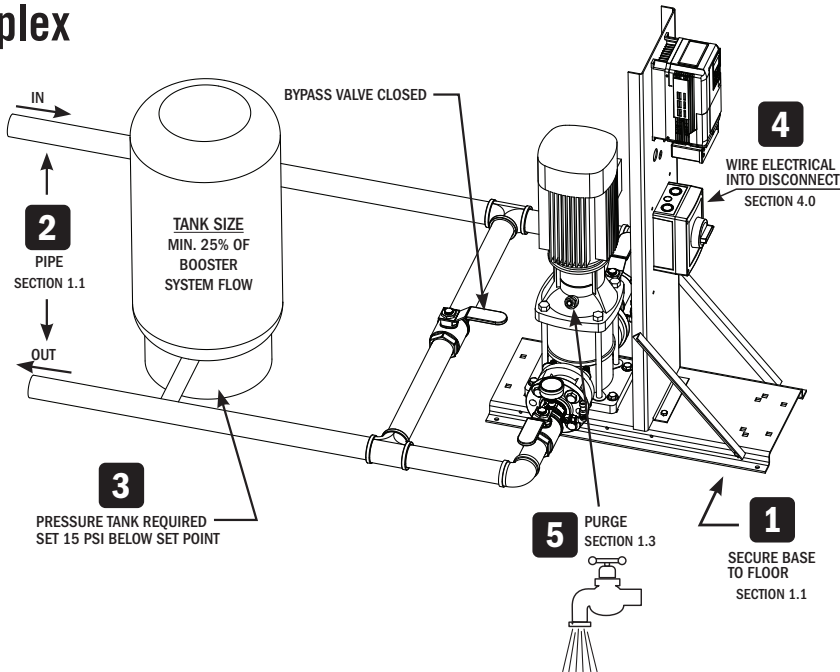


Simplex

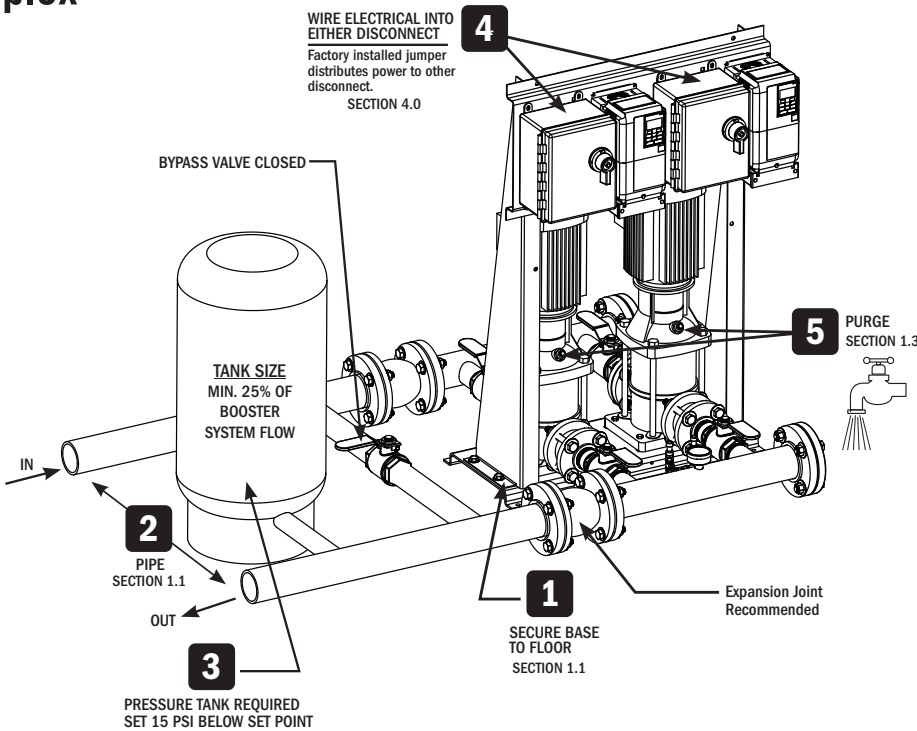


6 SET PRESSURE SET POINT SECTION 2.3

- Return to Home Screen (Below)
- Press **ENTER**, and Setpoint 1 (Q1-01) should be displayed on screen.
- Use **RESET** to scroll to the correct digit
- To change the setpoint value, use **▲** **▼**
- Press **ENTER** to save the value
- Return to the home screen by pressing **F1**



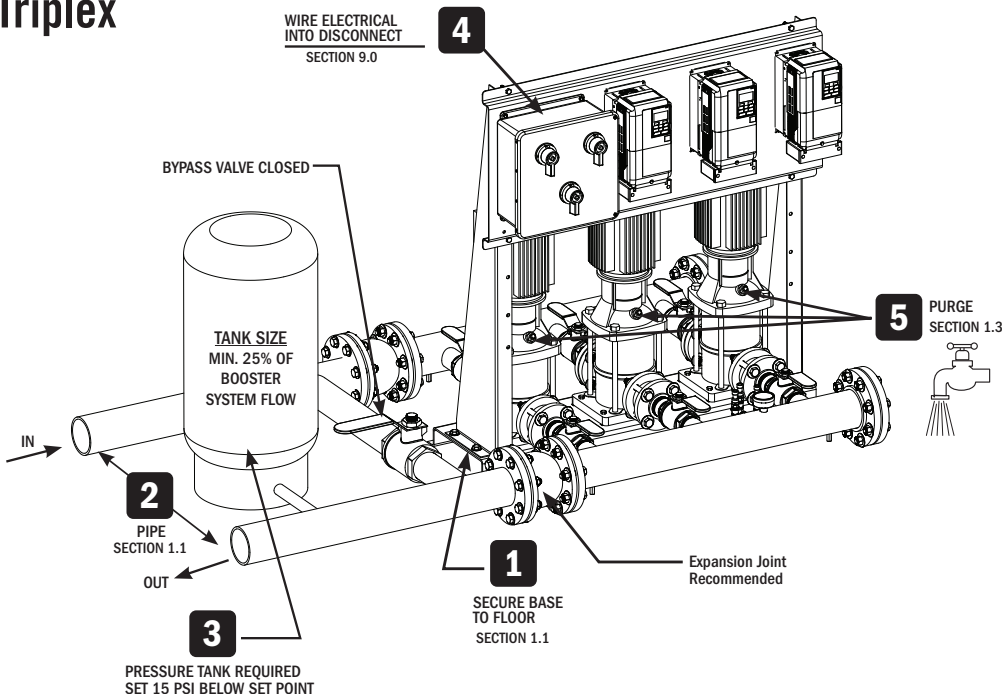
Duplex



7 START SYSTEM

Press **AUTO** to start the system.

Triplex



WARNING: It is unlawful in **CALIFORNIA & VERMONT** (effective 1/1/2010); **MARYLAND** (effective 1/1/2012); **LOUISIANA** (effective 1/1/2013) and the **UNITED STATES OF AMERICA** (effective 1/4/2014) to use any product in the installation or repair of any public water system or any plumbing in a facility or system that provides water for human consumption if the wetted surface area of the product has a weighted average lead content greater than 0.25%. This prohibition does not extend to service saddles used in California, Louisiana or under USA Public Law 111-380. **WARNING:** This product can expose you to chemicals including lead, which is known to the State of **CALIFORNIA** to cause cancer and birth defects or other reproductive harm. For more information go to: www.P65Warnings.ca.gov.

SEE MANUAL 3210-552 FOR MORE INFORMATION